

**WHACKER TECHNOLOGIES**

# ***The Verve LED Lightbar***



**Whacker Technologies**

[www.whackerusa.com](http://www.whackerusa.com)  
[info@whackerusa.com](mailto:info@whackerusa.com)  
718-408-1349

## Safety Warnings

This document provides all the necessary information to allow your new product of to be properly and safely installed.

Before beginning the installation and/or operation of your new product, the installation technician and operator must read this manual completely. Important information is contained herein that could prevent serious injury or damage.

- Proper installation of this product requires the installer to have a good understanding of automotive electronics, systems and procedures.
- This product contains either strobe light(s), halogen light(s), high-intensity LEDs or a combination of these lights. Do not stare directly into these lights. Momentary blindness and/or eye damage could result.
- Do not install this product or route any wires in the deployment area of your air bag. Equipment mounted or located in the air bag deployment area will damage or reduce the effectiveness of the air bag, or become a projectile that could cause serious personal injury or death. Refer to your vehicle owner manual for the air bag deployment area. The User/Installer assumes full responsibility to determine proper mounting location, based on providing ultimate safety to all passengers inside the vehicle.
- If this product uses a remote device to activate or control this product, make sure that this control is located in an area that allows both the vehicle and the control to be operated safely in any driving condition.
- If mounting this product requires drilling holes, the installer must be sure that no vehicle components or other vital parts could be damaged by the drilling process. Check both sides of the mounting surface before drilling begins. Also de-burr any holes and remove any metal shards or remnants. Install grommets into all wire passage holes. Do not attempt to activate or control this device in a hazardous driving situation.
- Use only soap and water to clean the outer lens. Use of other chemicals could result in premature lens cracking (crazing) and discoloration. Lenses in this condition have significantly reduced effectiveness and should be replaced immediately. Inspect and operate this product regularly to confirm its proper operation and mounting condition. Do not use a pressure washer to clean this product.
- For this product to operate at optimum efficiency, a good electrical connection to chassis ground must be made. The recommended procedure requires the product ground wire to be connected directly to the NEGATIVE (-) battery post.
- It is recommended that these instructions be stored in a safe place and referred to when performing maintenance and/or reinstallation of this product.
- **FAILURE TO FOLLOW THESE SAFETY PRECAUTIONS AND INSTRUCTIONS COULD RESULT IN DAMAGE TO THE PRODUCT OR VEHICLE AND/OR SERIOUS INJURY TO YOU AND YOUR PASSENGERS!**

# Operating Instructions

## Specifications

Input voltage: 12VDC(range DC10.8V~13.8 V).

Length of the lightbar: 70cm (27.55inches), 120cm (47.24inches), 140cm (55.12inches)

Environment temperature: -40 ~ +50 .

Current: 5.1A (70cm red blue), 8.4A (120cm red blue), 10.2A (140cm red blue).

## Installation of the warning light bar

### 120cm type and 140cm type

- Put light bar on the roof of the vehicle. Based on the vehicle's size, adjust the frame to fit it. Next, attach the catch(s) to the gutter on both side of the vehicle and tighten the nut. (See Figure 1 below)
- After the lightbar is installed, attach the red and black wires to the vehicle battery (red to +, black to -). Then, plug the controller to the light bar (See Figure 2 below).
- Turn on the switch of controller, choose the flash mode, and the light will begin to work.

### 70cm type

- Attach the light bar on the roof of the vehicle. Next, insert the cigarette power plug to the cigarette jack of the vehicle.
- Turn on the switch located on the top of the cigarette plug, and the light will begin to work.

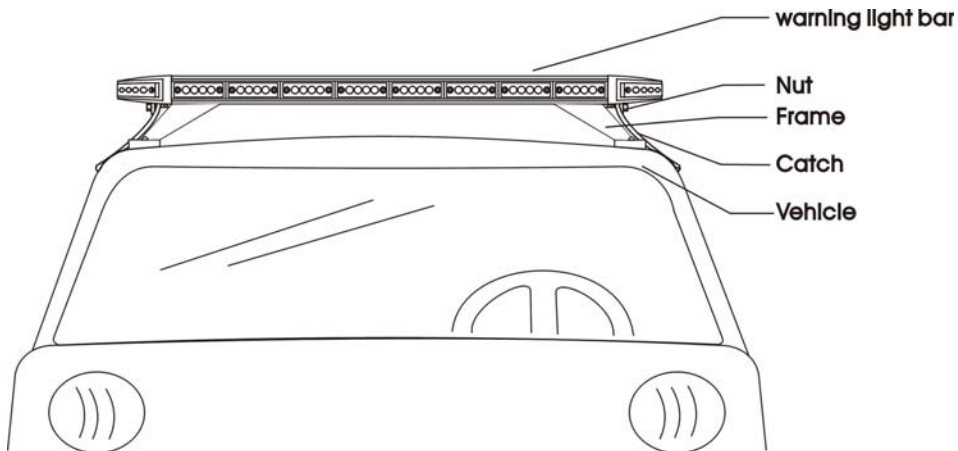


Figure 1. INSTALLATION OF THE LIGHT BAR

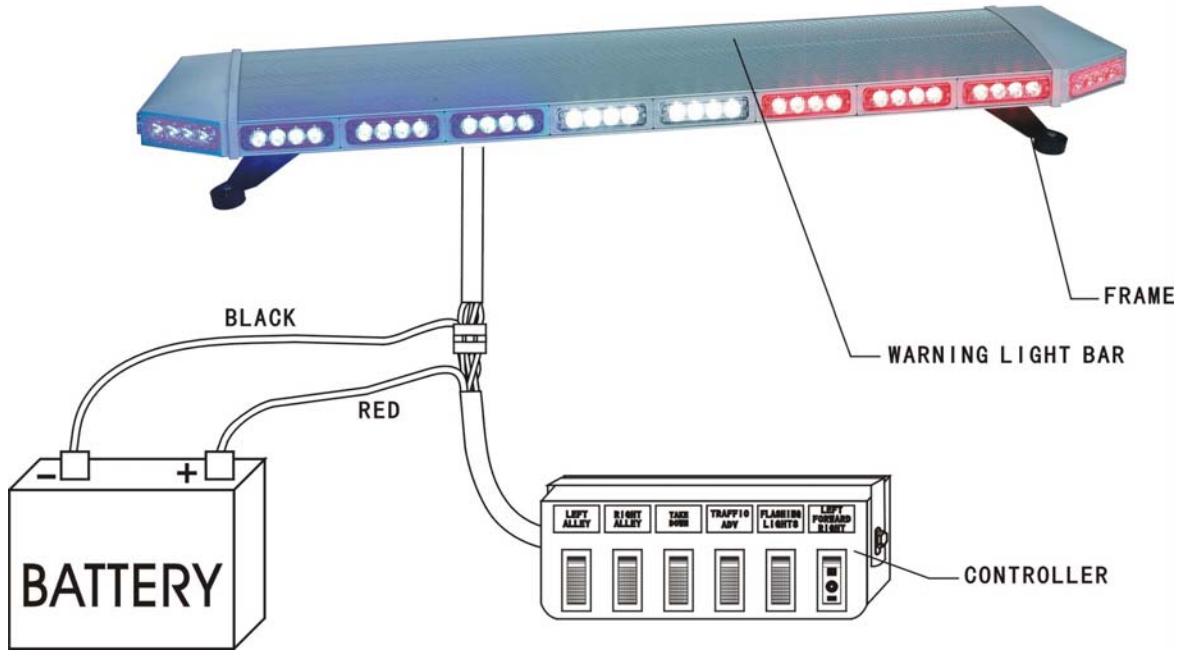


Figure 2. WIRE CONNECTION OF LIGHTBAR CONTROLLER AND BATTERY

## Troubleshooting

If the light doesn't work, please check the main fuse on the controller.

## Limited Warranty

Whacker Technologies warrants "The Verve LED Lightbar" to be free from defects in material and workmanship for a time period of **one (1) year** from the date of manufacture. During this warranty period, the obligation of Whacker Technologies is limited to repairing or replacing, as Whacker Technologies may elect, any part or parts, which after examination by Whacker Technologies are determined to be defective, when they are delivered pre-paid. This limited warranty does not cover travel expense, the cost of specialized equipment for gaining access to the product, or labor charges for the removal and re-installation of the product. (Please visit our website for complete details)