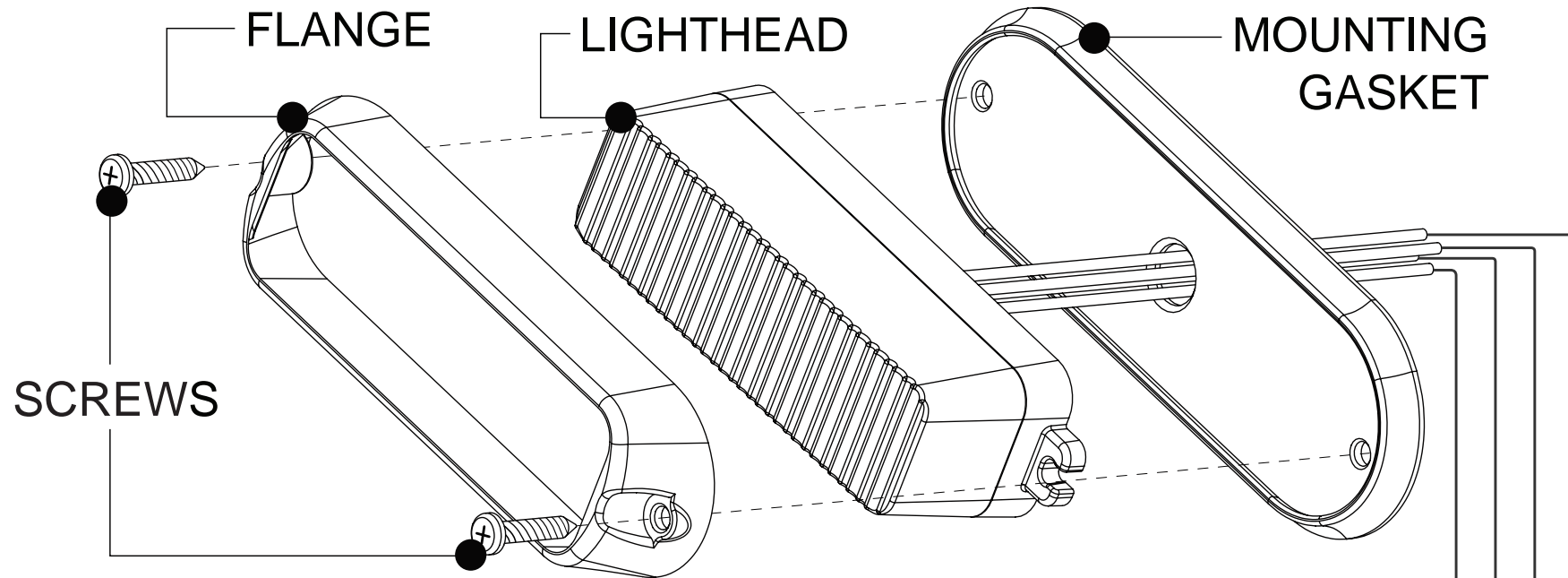


4-LED LIGHTHEAD



To +12VDC (fuse @ 3A) -----

RED

To Chassis Ground -----

BLACK

For Simultaneous or Alternating Flash -----

WHITE

Group1 Heads: (Wiring- WHITE connected to RED) will flash together

Group2 Heads: (Wiring- WHITE not connected to RED) will flash together

Group1 Heads will alternate with Group2 Heads

For Synchronization & Flash Patterns -----

YELLOW

Connect YELLOW wires of all heads together for synchronization